

# Reeds



Foundation Module 基础模组						
Product 产品	Width 宽度 (mm)		Depth 深度 (mm)	Height 高度 (mm)	Color 颜色	Material 物料
	Basic Module 基础模组	Extension Module 扩展模组				
Locker 储物柜	940	920	560	1,850 1,050	12 MFC Color Options 12 种三聚氰胺板颜色选择	MFC 三聚氰胺板
Locker w/ Rounded Open Shelf 储物柜带圆角置物架	2,060	1,140*	560	1,850 1,050		
Locker w/ Square Open Shelf 储物柜带直角置物架	1,840	920*	560	1,850 1,050		
Rounded Open Shelf w/ Strengthen Panel 圆角置物架带加强屏风	1,160	-	560	1,850 1,050		
Square Open Shelf w/ Strengthen Panel 直角置物架带加强屏风	940	-	560	1,850 1,050		
Locker w/ Valet 储物柜带衣柜	1,840	920*	560	1,850		
Locker w/ Privi Server Parking 储物柜带Privi移动充电站停泊站	1,840	920*	560	1,850		
Locker w/ Hockey Trolley Parking 储物柜带Hocke手推车停泊站	2,060	1,140*	560	1,850		
High Table 高桌		920	2,020	1,050 1,850	Frosted Black (BK), Stone (ST) 砂纹黑色·岩灰色	Powder Paint 金属喷粉
Power Box 电源柜		220	560	1,850 1,050		
End Cabinet 端头柜		198	480	1,618		
		180	480	818		
Power Trunk 电源盒		900	351	140	Warm White (H), Frosted Black (BK), Stone (ST) 暖白色·砂纹黑色·岩灰色	Powder Paint 金属喷粉
Planter 金属花槽		700 900	200	120		
Rounded Whiteboard 圆角白板		740	18	1,460	-	-
Square Whiteboard 直角白板		860	18	818	-	-
				1,618	-	-
Narrow Square Whiteboard 窄身直角白板		560	18	818	-	-
				1,618	-	-
Rounded Panel 圆角屏风		740	20	340	-	-
				740	-	-

\* Extension Module Size : Excludes the width of locker  
扩展模组尺寸：不包括储物柜宽度





5 Tiers Open Shelf w/Locker, Valet and Planter  
 五层置物架带储物柜、挂衣间及金属花槽



5 Tiers Open Shelf w/Locker, Privi Server Parking,  
 Whiteboard and Planter  
 五层置物架带储物柜、Privi移动电站停泊站、  
 白板及金属花槽



3 Tiers Open Shelf w/Locker  
 三层置物架带储物柜



3 Tiers Open Shelf  
 三层置物架



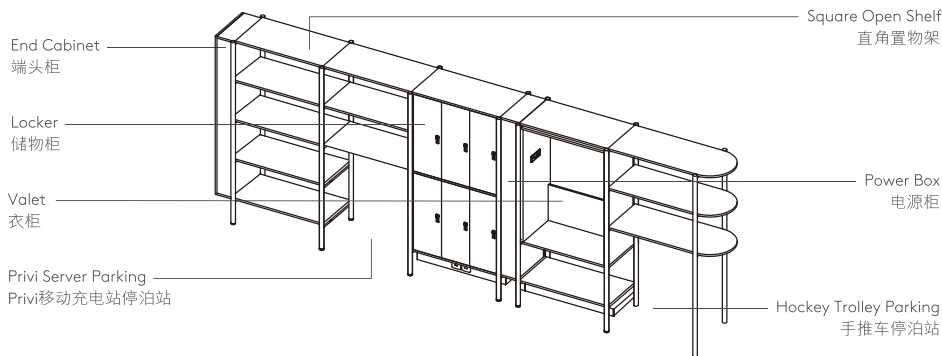
5 Tiers Open Shelf w/ Whiteboard and Planter  
 五层置物架白板及金属花槽



5 Tiers Open Shelf w/ High Table,  
 End Cabinet and Planter  
 置物架带高桌、端头柜及金属花槽

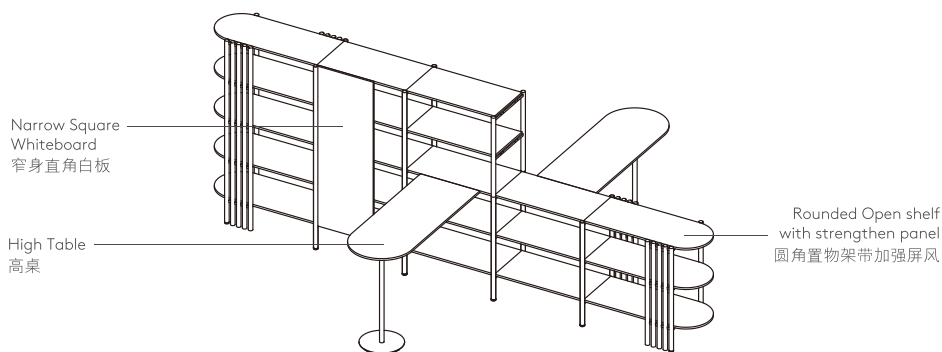
## Module Diagram

### 模组解说图



5 Tiers Open Shelf with Locker, Valet, Privi Server Parking, End Cabinet and Planter

五层置物架带储物柜、衣柜、Privi移动充电站停泊站、端头柜及金属花槽



5 Tiers Open Shelf w/ High Table, Whiteboard and Planter

五层置物架带高桌、白板及金属花槽

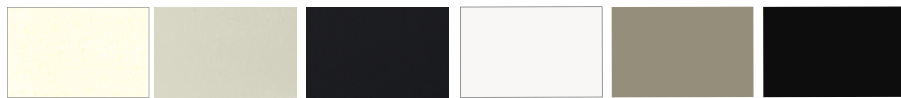
## Material Option 物料选择

### MFC - Wood-grain 三聚氰胺板 - 木纹系列



Aspen (MSFS) 白杨木	Maple (MFP) 枫木色	Red Maple (MFA) 红枫木	Sunlight Ash (MFAS) 晨光白蜡木	Oak (MFLO/COLOR310) 橡木色	Cherry (MFY) 樱桃木色	Walnut (MFLW/COLOR309) 胡桃木色	Vintage Ash (MFAV) 复古白蜡木	Chocolate Ash (MFAC) 巧克力白蜡木
---------------------	--------------------	------------------------	------------------------------	----------------------------	----------------------	--------------------------------	-----------------------------	--------------------------------

### MFC - Solid 三聚氰胺板 - 纯色系列



Warm White (MFH) 暖白色	Grey (MFG) 灰色	Black (MFK) 黑色	Warm White (H)* 暖白色	Stone (ST) 岩灰	Frosted Black (BK) 砂纹黑
-------------------------	------------------	-------------------	------------------------	------------------	---------------------------

### Powder Paint 金属喷粉



GREENGUARD GOLD Indoor Air Quality Certification  
荣获GREENGUARD室内空气质量金级认证



GREENGUARD Indoor Air Quality Certification  
荣获GREENGUARD室内空气质量认证

#### Remarks 备注:

Color variations may occur on soft copies or printed matters. Please refer to swatch cards or actual product samples for color selection.

颜色可能因电子档或印刷效果而出现差异，当选择颜色时，可参考色卡或真实样本。

\*Powder paint warm white (H) is not applicable for pole.

金属喷粉暖白色(H)不适用于钢管支架。



### Office & Showroom 分行及展厅

Shanghai 上海  
Tel: (86) 21 6278 8888

Beijing 北京  
Tel: (86) 10 8521 7588

Guangzhou 广州  
Tel: (86) 20 3892 2422

Shenzhen 深圳  
Tel: (86) 769 8203 1018

Dongguan 东莞  
Tel: (86) 769 8203 1111

Hong Kong 香港  
Tel: (852) 2828 6888

Singapore 新加坡  
Tel: (65) 6817 8750

### Customer Service Hotline 客户服务热线

Mainland China 中国大陆  
Tel: (86) 800 820 6073 | (86) 400 686 8073

Hong Kong & Asia Pacific 香港及亚太区  
Tel: (852) 2828 6000

www.lamex.com