

Address:

No. 7 West BeiJing RD. (near Middle Xizang RD.), Huangpu District, Shanghai, China

Phone:

+86(0)2161413005

地址:

上海市黄浦区北京西路7号新金桥广场1楼

电话:

02161413001



AIRFORT2

KOKUYO



Continuing the classic design of AIRFORT, upgraded lumbar support, sitting aid cushion and adjustable headrest. Colorful one-piece color design, so that the office is no longer dull. Practice the concept of sustainable development, flexible parts replacement, durable.

延续了AIRFORT的经典设计，升级了腰靠、坐姿辅助垫和可调节头靠。多彩的一体色设计，让办公室不再沉闷。践行可持续发展理念，零部件更替灵活，经久耐用。

AIRFORT 2



Re-create & Long life

更替灵活，经久耐用

可单独选配，替换部件的永续设计

以打造舒适且耐用的产品为目标

减少碳排放，实现可持续发展



1

AIR-LUMBAR SUPPORT TECHNOLOGY.

空气腰靠支撑技术



Moderate Spine Shape

Pronounced Spinal Curve

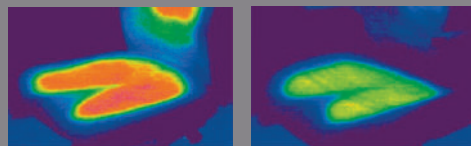
A key component of that functionality is its concealed adjustable lumbar-support air bag. It allows the shape of the seat back to be customised to suit the shape of the user's spine. Those with more pronounced spinal curvature can inflate the air bag to increase support to their lumbar region. The customised helps support relieves fatigue over long period of sitting.

该功能的关键组成部分是其背后的可调节腰部支撑气囊。座椅靠背的形状可以适应各种体型的脊柱形状。为每位使用者度身打造的完美撑托感可缓解久坐的疲劳。

2

DIMENSIONAL SEAT MESH CUSHION.

双层网布坐垫



The seat cushion is designed with grooves covered in dimensional mesh; it helps to disperse body heat from the seat cushion to maximize comforts for the users.

坐垫由带凹槽的泡棉坐垫和双层透气材质构成，有助于分散体压，最大程度的提高使用者的舒适度。

3

AUTO RECLINE MECHANISM.

体重感知功能

The Auto adjust rocking mechanism allows users to gently recline in full comfort and full support.

仰靠座背时，根据使用者体重自动调节倾仰最大程度的提高使用者的舒适度。

**As Versatile as Air itself.**

适用于各种场合，恰如灵动的空气随处流动。

AIRFORT's innovative high quality design and stylish aluminum componentry ensures that AIRFORT fits for all office environment.

时尚简约的金属感设计，适用于从管理者到员工，从个人工位到会议室的任意一个角落。

**Lumbar Support**
空气腰靠

The position of and the amount of air in the lumbar support can be adjusted to suit the user's individual preferences.
(Range : 100mm, Up and Down)

空气腰靠，可以通过控制杆调节腰靠强度。腰靠的位置，可根据使用者的体型上下调节。(上下范围：100mm)

**Headrest**
头靠

The headrest can be adapted to adjust the height and angle according to the user's body type.
(Range: 50mm, Up and Down Angle: 40°)

头靠可适应根据使用者的体型调节高度和角度。(上下范围：50mm 角度：40°)

**Auto Adjust Mechanism**
体重自动感知

The function uses the "Principal of leverage" which allows the seat and backrest to be synchronised without using any levers.

(4 fixed angles, Max locking angle: 125°)

无控制杆，“体重感知构造”使背部和座面形成连动。根据使用者的体重，调整为最佳角度。(4个角度固定、最大上锁角度：125度)

**Seat Height**
座面高度调节

The height can be easily adjusted with a simple one-touch operation.
(Range : 120mm)

座面高度可进行一触式调节。由于轻松简单的就能够调整到喜欢的位置，所以随时能够维持自然的工作姿势。(范围：120mm)

**Seat Depth Adjustable**
座面进深调节

The seat cushion depth is adjustable to accommodate the user's personal preferences.
(Range : 50mm)

座面可根据体格及喜好进行前后调节(范围：50mm)

**Height Adjustable Armrest**
可动扶手(上下调节)

The height of the armrests can be adjusted to suit the desks' height and better support of the user's elbow.
(Range : 80mm)

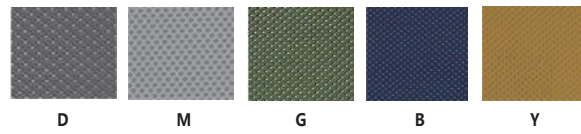
可以根据座面的高度以及使用者的体型、工作姿势，将扶手上下调节至舒适的位置。肘垫上采用了柔软的PU材料包覆注塑件。(上下范围：80mm)

UPHOLSTERY OPTIONS
配色

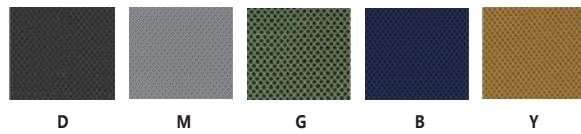


UPHOLSTERY OPTIONS
配色

Backrest options:
靠背配色:



Seat Cushion options:
座面配色:



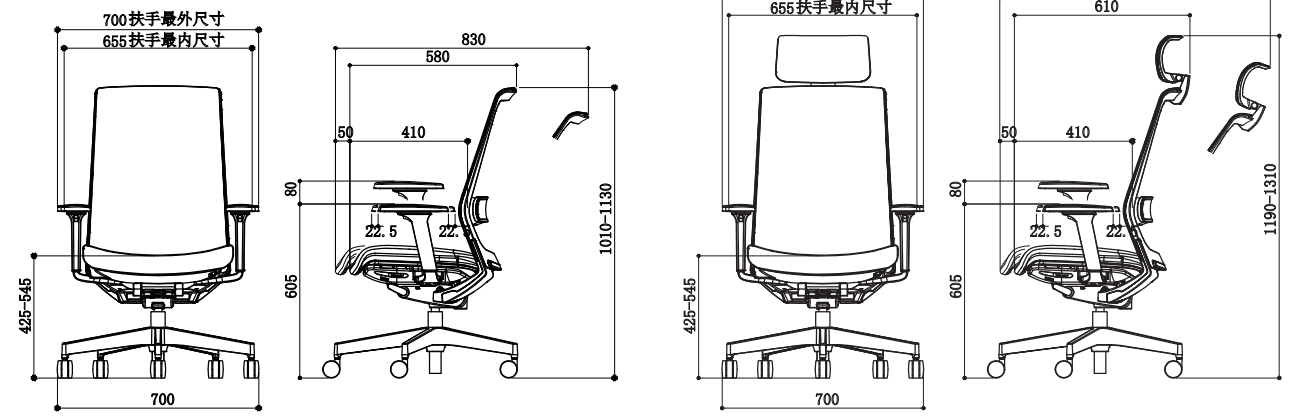
All colors as shown may vary from actual color.
All specifications are subject to change without prior notice.
图片颜色与实物颜色存在一定色差。
所有规格如有变更，恕不另行通知。

Product quality, environmental certifications and awards
产品质量，环保认证及其他奖项



DIMENSIONS
尺寸图

All dimensions in mm
(单位为: mm)



Headrest with armrest
带头靠和扶手转椅

Headrest with armrest
带头靠和扶手转椅

BASE OPTIONS
椅脚



Polished Alum
抛光脚



Nylon
尼龙脚

CASTOR OPTIONS
脚轮



Hard castor
硬(PA)脚轮



Soft castor
软(聚氨酯)脚轮

HEADREST OPTIONS
头靠可选配



Without headrest
无头靠



With headrest
头靠

ARMREST OPTIONS
扶手



Height-adjustable armrest
上下可动扶手



3D armrest
3D可动扶手